

# Installation Guide

## Flap Barrier Turnstile-FBL6000 Pro series

---

Applicable Model(s): FBL1000 Pro series, FBL1200 Pro series, FBL2000 Pro series, FBL2200 Pro series, FBL4000 Pro series, FBL4200 Pro series, FBL5000 Pro series, FBL5200 Pro series, FBL6000 Pro series, FBL6200 Pro series

Version: 1.1

Date: December 2019

# 1 Material preparation

1. **Tools:** A measuring tape, an adjustable wrench, an impact drill and a small screwdriver (included in the package).
2. **Material:** Fireproof PVC and insulation tube (diameter  $\geq 25\text{mm}$ ), standard three-core power extension wire, M12 expansion screw (included in the package).
3. Thread the wires through the insulation tube before laying them underground.
4. Power wire and signal wire should be kept separately to avoid interference between strong and weak power. It is recommended that the wiring is to be done by a professional. And the device must be connected to the ground.

Below is the reference to FBL6000 Pro cabling.

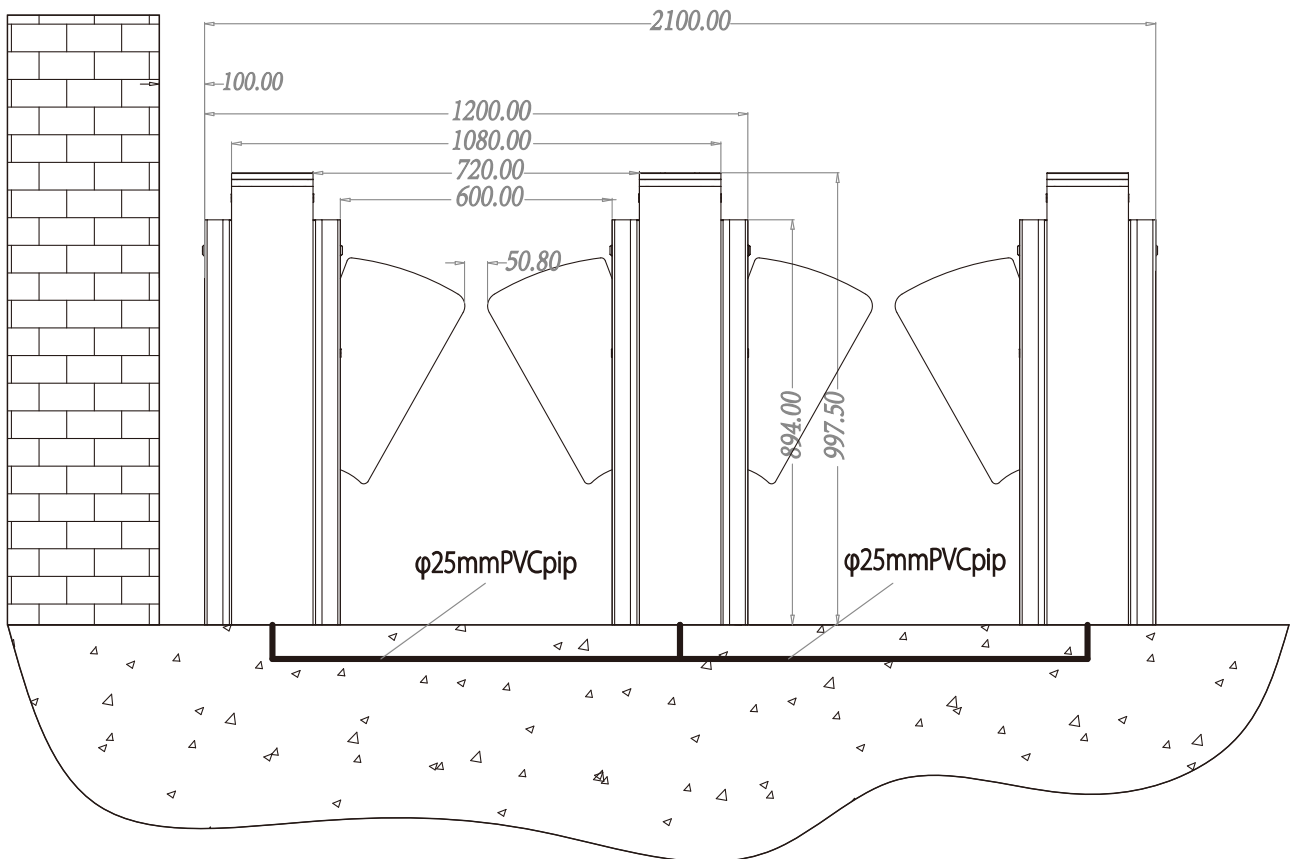


Figure 1-1

## 2 Power-on Test Prior to Installation

### Test Procedure:

1. Connect a temporary test cable to the device and supply the input power of AC100-240V adaptive to the device (Note that a ground cable must be connected.)
2. Wait 30 seconds till the wing gate completes the self-test procedure.
3. Start the air switch inside the wing gate to check whether the wing gate functions properly and check whether the LED indicators function properly. If they all function properly, start the civil installation. If an exception occurs, contact your sales agent.

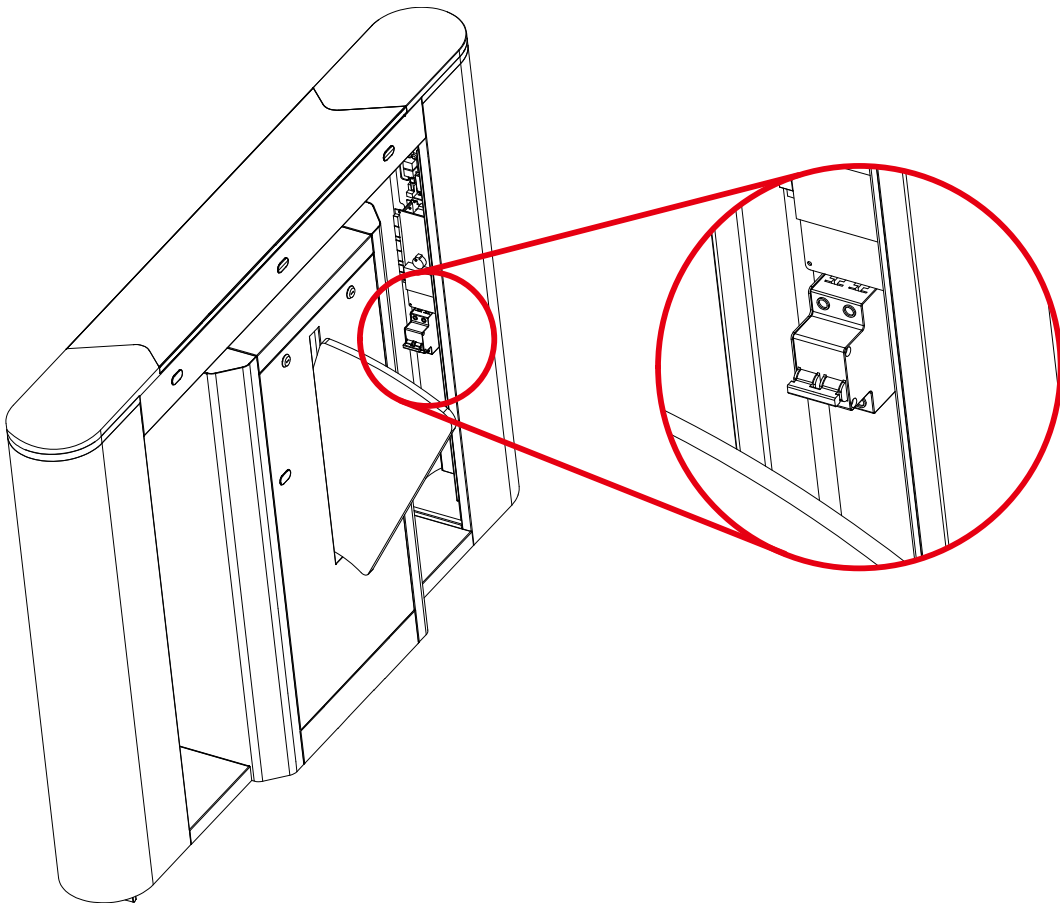


Figure 2-1 Air Switch

## 3 Electric and Civil Installation

### 1. Device installation conditions

The location where the device is installed must be a concrete flat surface so that the expansion screws can be fastened firmly. If the planned foundation does not meet this criterion, consult professional building or decoration personnel and create stable conditions for firmly fastening of the wing gate.

### 2. Determination of the location of device installation

Decide the installation location based on the space needed as illustrated in Figure 3-1A and Figure 3-1B.

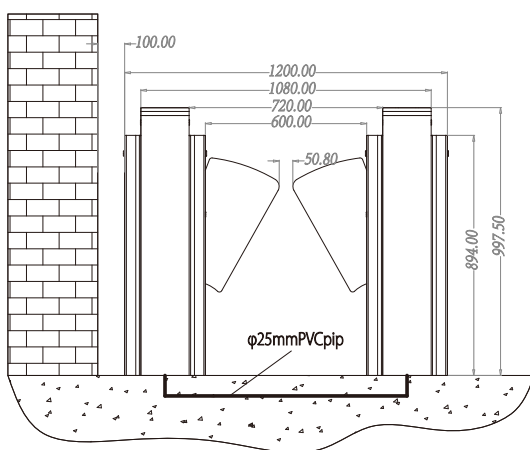


Figure 3-1A Single-Passage Wing Gate

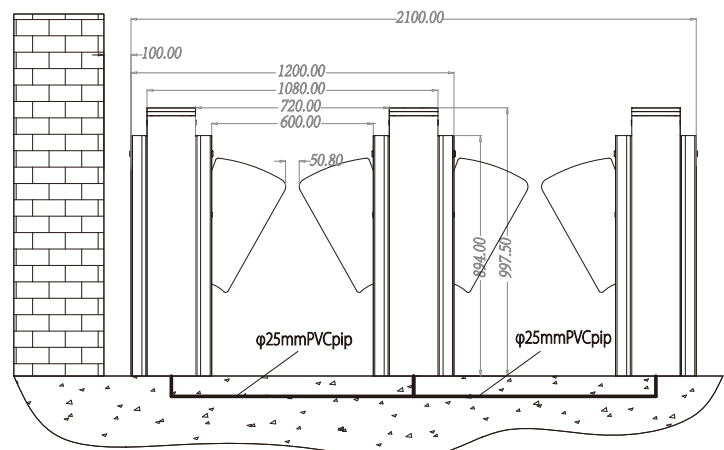


Figure 3-1B Dual-Passage Wing Gate

### 3. Cable connection

For the location of the hole where the cables come out, please refer to Figure 3-2 below.

### 4. Device installation

- Turn on the master machine and slave machine, adjust the wing arms to ensure that the wing arms are in the same line and the distance between wings is 50 mm. Turn the wings to the OFF state.
- Test whether the infrared rays transmitted by infrared sensors on both sides align with each other.

- c) Make marks: Mark the screw hole of the base and chassis base edges on the ground.
- d) Drill holes: Get ready a hammer drill and a 14 mm drill bit, vertically drill a hole with the depth of 80 mm in the screw hole centre marks.

Alternatively, drill holes according to installation hole positions, see Figure 3-2 for installation hole positions. The unit of the figures in the drawings is mm.

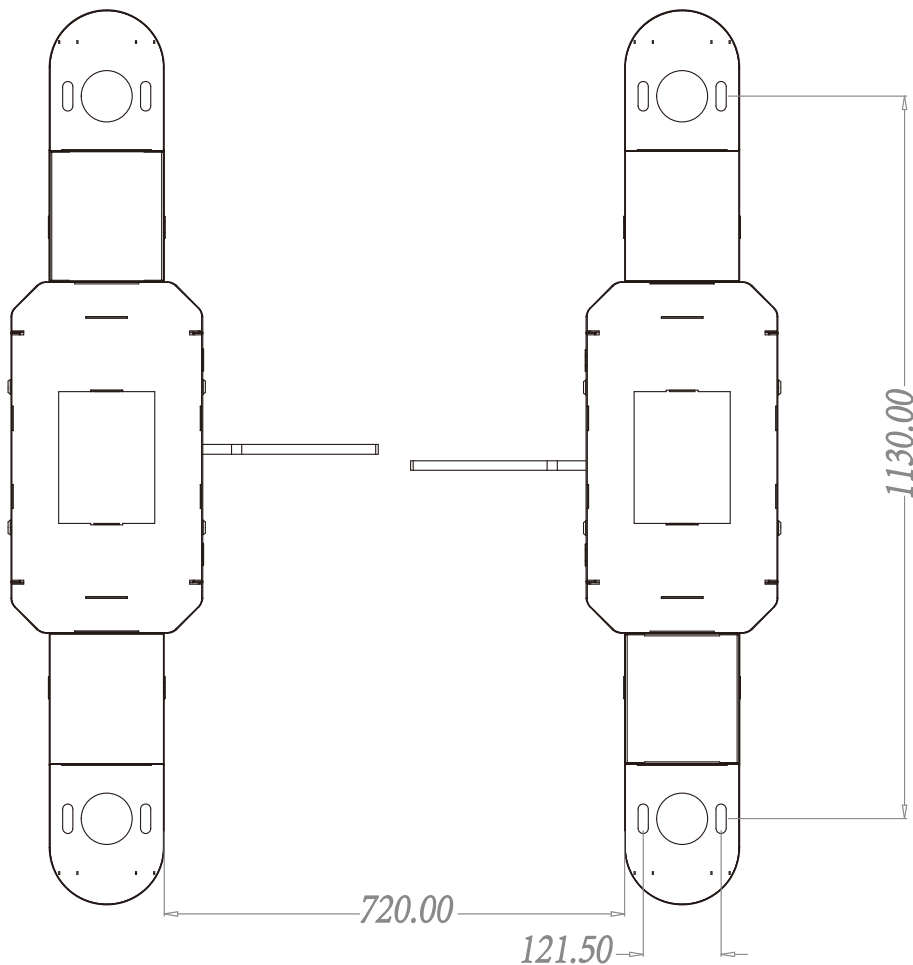


Figure 3-2

- e) Apply screw glue to the outer surface and threads of the expansion screws, insert expansion screws, and put the master machine and slave machine in the marked positions. Use a level to check whether the installation ground foundation is level. If not, use a pad for adjustment.

**Note:** Eight expansion screws must be completely inserted, as shown in Figure 3-3.

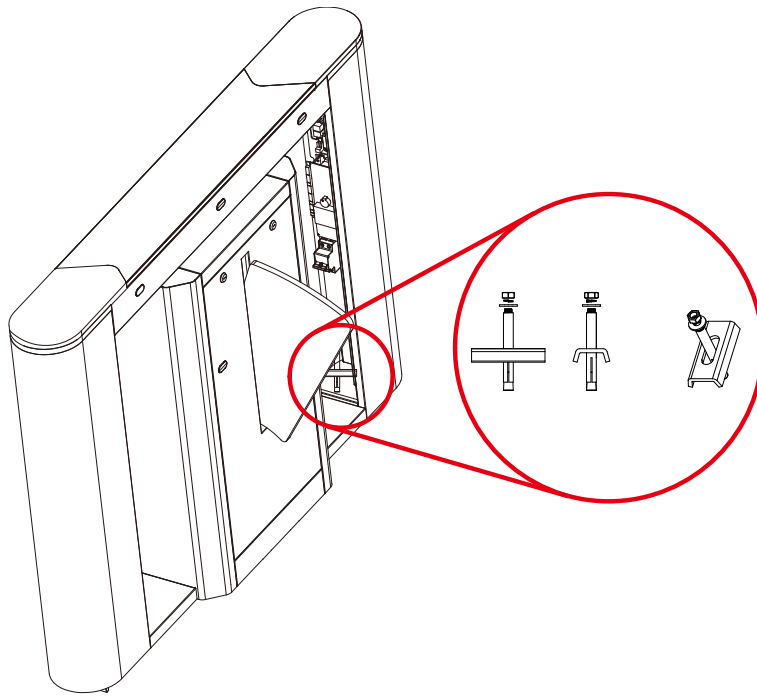


Figure 3-3

## 5. Card Swiping Warning Lines

It is recommended that a warning line is set to prompt users to swipe cards outside the warning lines, as shown in Figure 3-4.

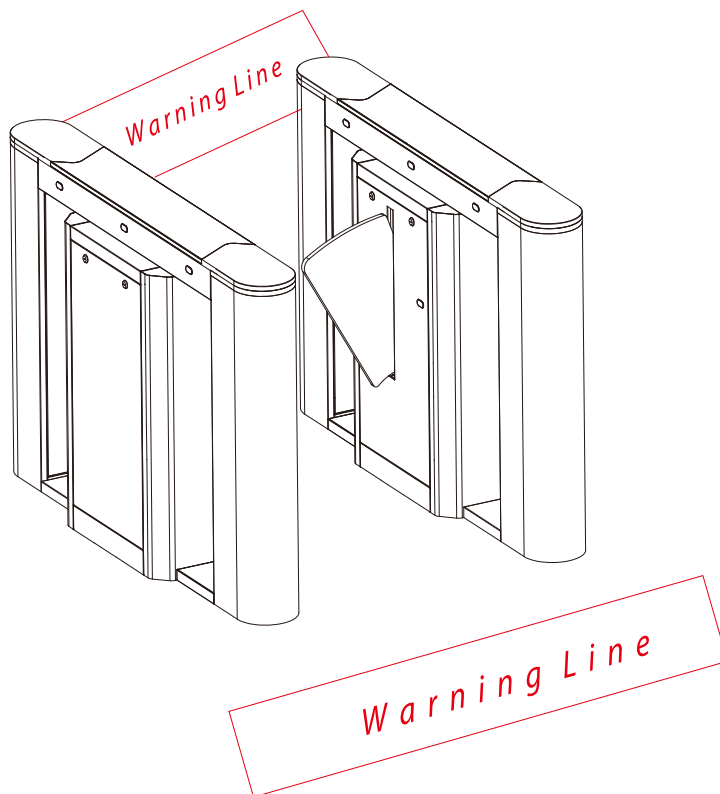


Figure 3-4

## 4 Menu Operation

- **Menu**

There are four keys on the control panel, including "UP", "DOWN", "ENT", and "ESC". Press "ENT" to modify settings, press "UP" and "DOWN" button to select a function, and press "ESC" to exit.

- **The menu has the following options:**

- 1. Passing mode**

Two-way swipe (default)

Left free, Right swipe

Left swipe, Right free

Two-way free

Left prohibit, Right swipe

Left swipe, Right prohibit

Left prohibit, Right free

Left free, Right prohibit

Two-way prohibit

- 2. Opening speed**

Low speed

Medium speed (default)

High speed

- 3. Closing speed**

Low speed

Medium speed (default)

High speed

- 4. Volume setting**

Volume: off

The value ranges from 1 to 16 (default 5).

1 is the minimum value; 16 is the maximum value.

- 5. Opening duration**

After the gate is opened, it will be automatically closed if no one passes through within a certain duration. The default value is 10 seconds. The value ranges from 5 to 60.

- 6. Reset the counter**

Out counter

Into the counter

All (default)

## 7. Gate closing delay time

Time: 0~10s (default 0s)

## 8. Trailing alarm detection

Mode: Close the door and audio alarm

Audio alarm only (default)

Disable the alarm function

## 9. Swiping mode

Method: Allow card swiping in the channel (default)

Do not allow card swiping in the channel

## 10. False direction entry

Mode: Close the door and audio alarm

Audio alarm only (default)

Disable the alarm function

## 11. Set fire signal

Enable (default)

Disable

## 12. Exchange voice of door opening

Yes

No (default)

## 13. Speed compensation of master machine

Compensation value: 000

1~20 (default: 000)

## 14. Speed compensation of slave machine

Compensation value: 000

1~20 (default: 000)

## 15. Gate closing mode

Out of the anti-pinch area, close the gate. (default)

Out of the channel, close the gate.

## 16. Memory opening

Whether to open: No (default)

Yes

## 17. System working mode

Mode: Working mode (default)

Test mode

Restore to factory

## 18. Version number

Version: V7.0.3



# 5 Wiring Diagram

Below is the wiring diagram:

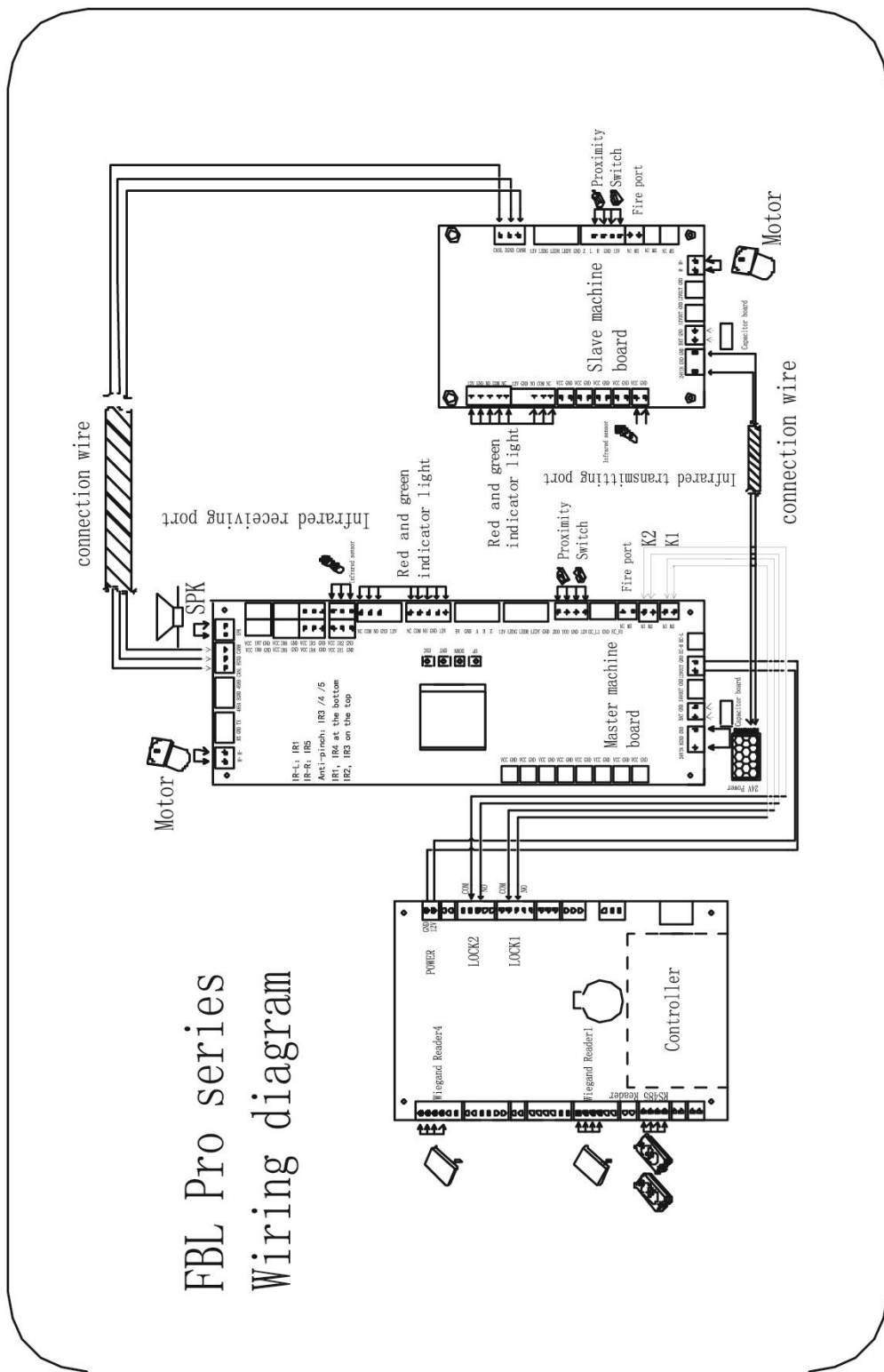


Figure 5-1

[www.zkteco.com](http://www.zkteco.com)

